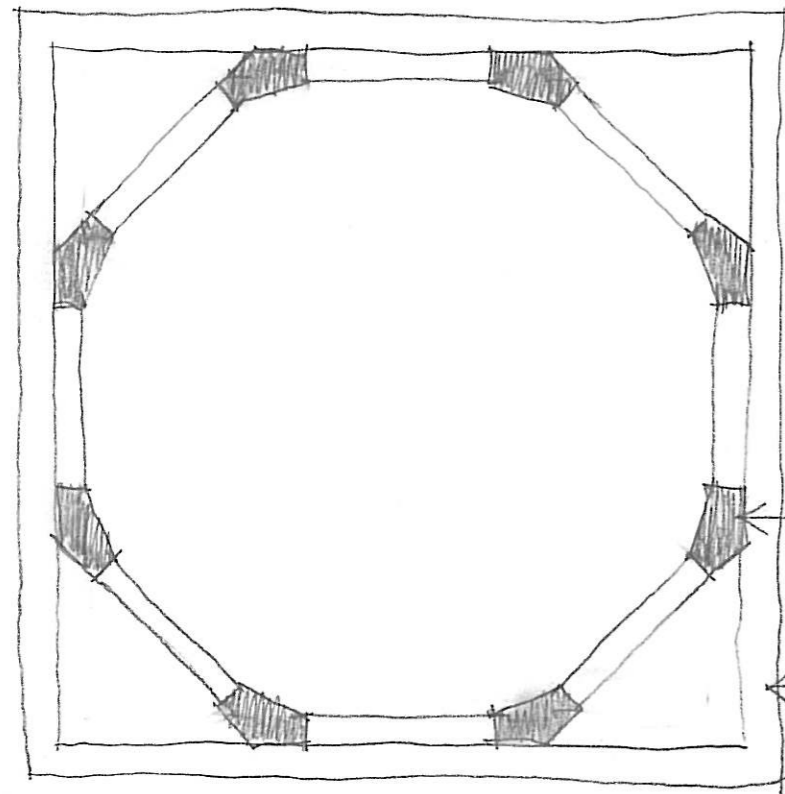


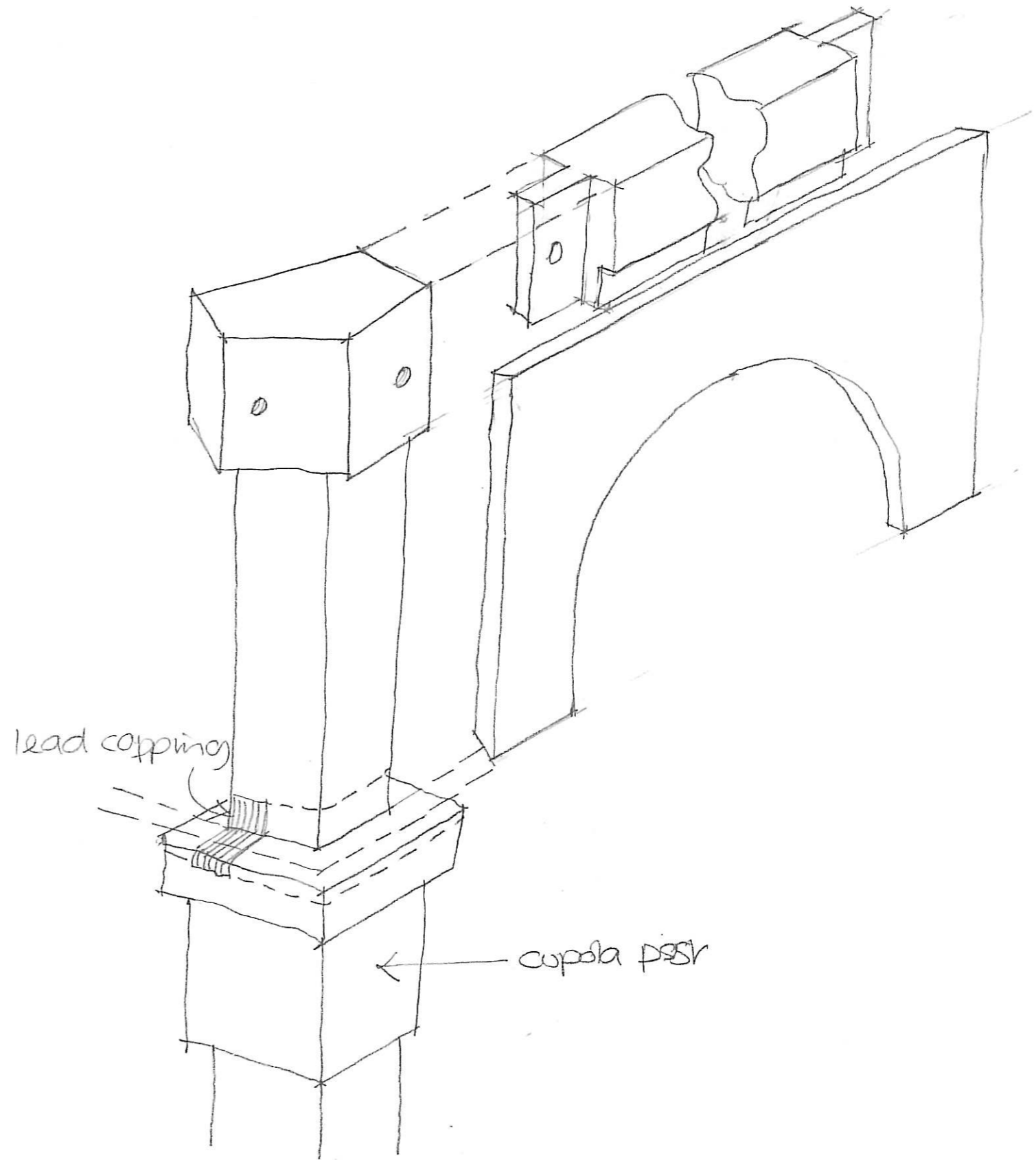
tower  
Structure



cupola posts

← timber ring beam  
to tower

PLAN OF TOWER STRUCTURE  
(1:20)



lead copping

← cupola post

NOTES-

DO NOT SCALE OFF THIS DRAWING

© This drawing and the building works depicted in it are the copyright of the architect and may not be reproduced except by written permission

**NICK JOYCE ARCHITECTS LLP**  
**ARCHITECTS AND HISTORIC BUILDING**  
**CONSULTANTS**

Partnership No: OC304311 Registered in England and Wales

5 BARBOURNE ROAD WORCESTER WR1 1RS  
TELEPHONE 01905 726307/29911 FAX 01905 726307

The Bottercross, Ludlow

cupola details

SCALE- 1:20

DRAWN- *AJS*

DRG No-

DATE-

*07/09*

CHECKED-

1166/SK1